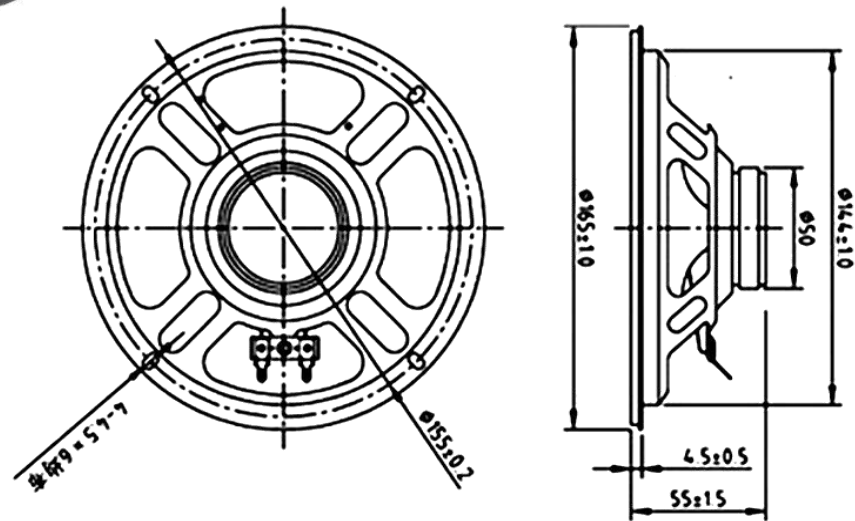
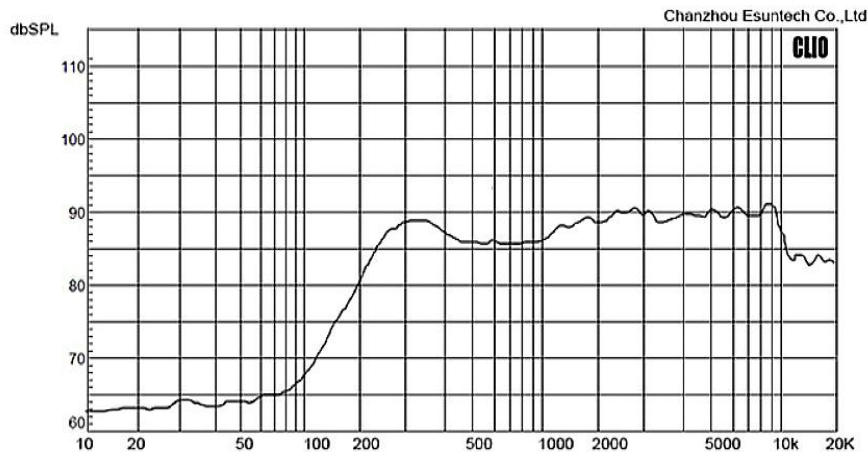


SPECIFICATION		
1	Model No.	YD166-49-F50P
2	Diameter:	Φ165mm
3	Cone Material:	Paper
4	Edge:	Paper
5	Nominal Power:	5w
6	Maximum Power:	10w
7	Impedance:	8±15%Ω
8	Voice coil:	
9	Fo:	100±20%Hz
10	Response:	Fo-14kHz
11	S.P.L:	88±3dB/W/M
12	Magnet Size:	Φ50X24X8(Ferrit)
13	Net weight:	234g

THIS DOCUMENT CONTAINS DATE  
 PROPRIETARY TO PROJECTS CHANGZHOU ESUNTECH  
 CO LTD. ANY USE OR REPRODUCTION,IN ANY FORM,  
 WITHOUT PRIOR WRITTEN PERMISSION OF  
 PROJECTS CHANGZHOU ESUNTECH CO LTD  
 IS PROHIBITED.  
 ©2003,Project Changzhou Esuntech Co Ltd

REVISION HISTORY			
LTR	DESCRIPTION	DATE	APPROVED
-	RELEASED FROM ENGINEERING	9/23/2003	Y M
A			
B			
C			



NOTES:  
 1.ALL DIMENSIONS ARE IN MILLIMETERS  
 2.SPECIFICATIONS SUBJECT TO CHANGE  
 WITHOUT NOTICE

UNLESS OTHERWISE SPECIFIED. DIMENSIONS ARE IN MILLIMETERS TOLERANCES ARE +/-0.5 AND ANGLES ARE +/-3°	SIZE	Designed by	Date	Checked by	Date	Approved by	Date	Drawed date
	A4	 Changzhou Esuntech Co.,Ltd <a href="http://www.esuntech.com.cn">http://www.esuntech.com.cn</a>		YD166-49-F50P			Loudspeaker	Edition
YD45-01-8F32P-R								