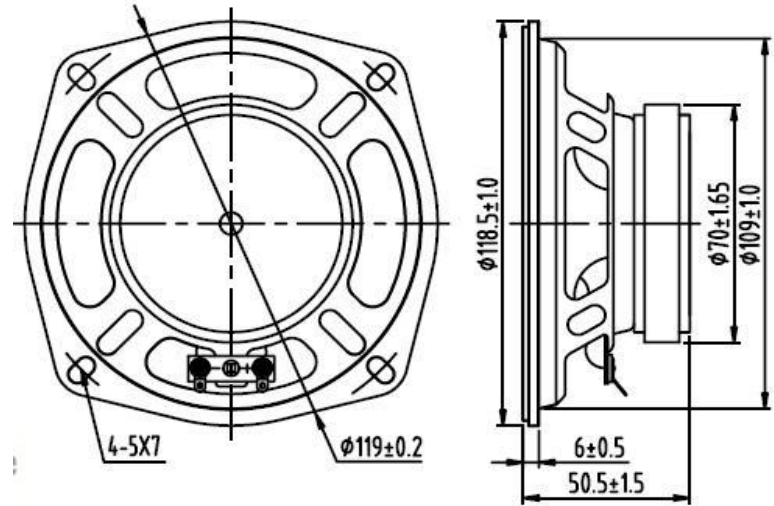
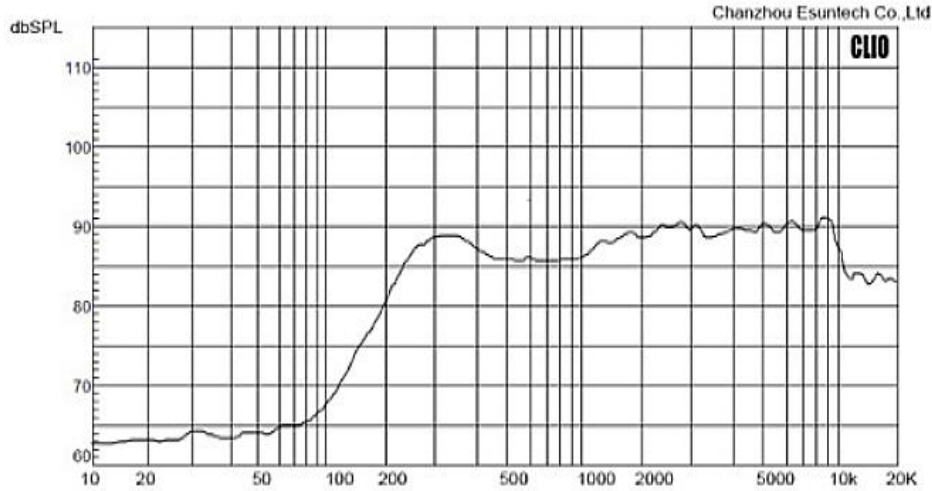


SPECIFICATION		
1	Model No.	YD120-03-4F70U
2	Diameter:	118.5×118.5mm
3	Cone Material:	Paper
4	Edge:	Foam
5	Nominal Power:	10w
6	Maximum Power:	25w
7	Impedance:	4±15%Ω
8	Voice coil:	Φ19.45mm
9	Fo:	125±20%Hz
10	Response:	Fo-20kHz
11	S.P.L:	92±3dB/1W/0.5M
12	Magnet Size:	Φ70×32×10(Ferrite)
13	Net weight:	413g

THIS DOCUMENT CONTAINS DATE
 PROPRIETARY TO PROJECTS CHANGZHOU ESUNTECH
 CO LTD. ANY USE OR REPRODUCTION,IN ANY FORM,
 WITHOUT PRIOR WRITTEN PERMISSION OF
 PROJECTS CHANGZHOU ESUNTECH CO LTD
 IS PROHIBITED.
 ©2003,Project Changzhou Esuntech Co Ltd

REVISION HISTORY			
LTR	DESCRIPTION	DATE	APPROVED
-	RELEASED FROM ENGINEERING	9/23/2003	Y M
A			
B			
C			



NOTES:
 1.ALL DIMENSIONS ARE IN MILLIMETERS
 2.SPECIFICATIONS SUBJECT TO CHANGE
 WITHOUT NOTICE

UNLESS OTHERWISE SPECIFIED. DIMENSIONS ARE IN MILLIMETERS TOLERANCES ARE +/-0.5 AND ANGLES ARE +/-3°	SIZE	Designed by	Date	Checked by	Date	Approved by	Date	Drawed date
	A4	 Changzhou Esuntech Co.,Ltd http://www.esuntech.com.cn			YD120-03-4F70U			
	YD45-01-8F32P-R				Loudspeaker	Edition	Sheet	