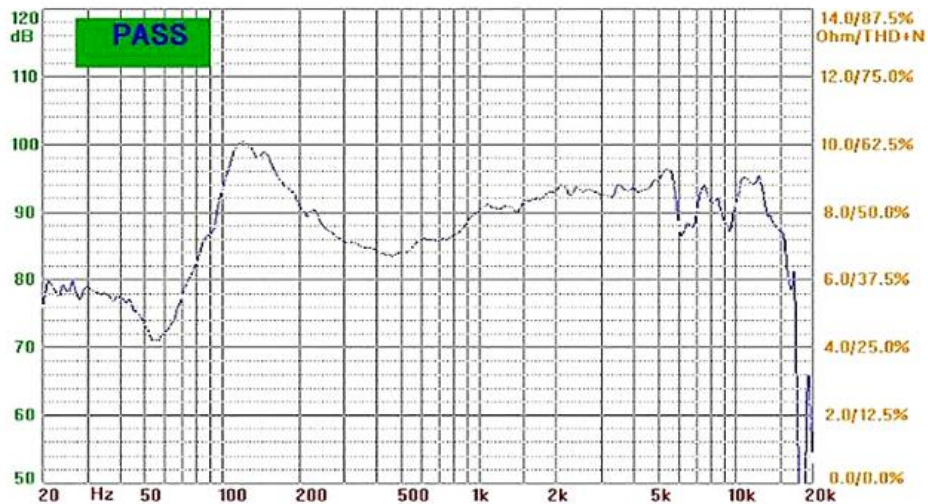
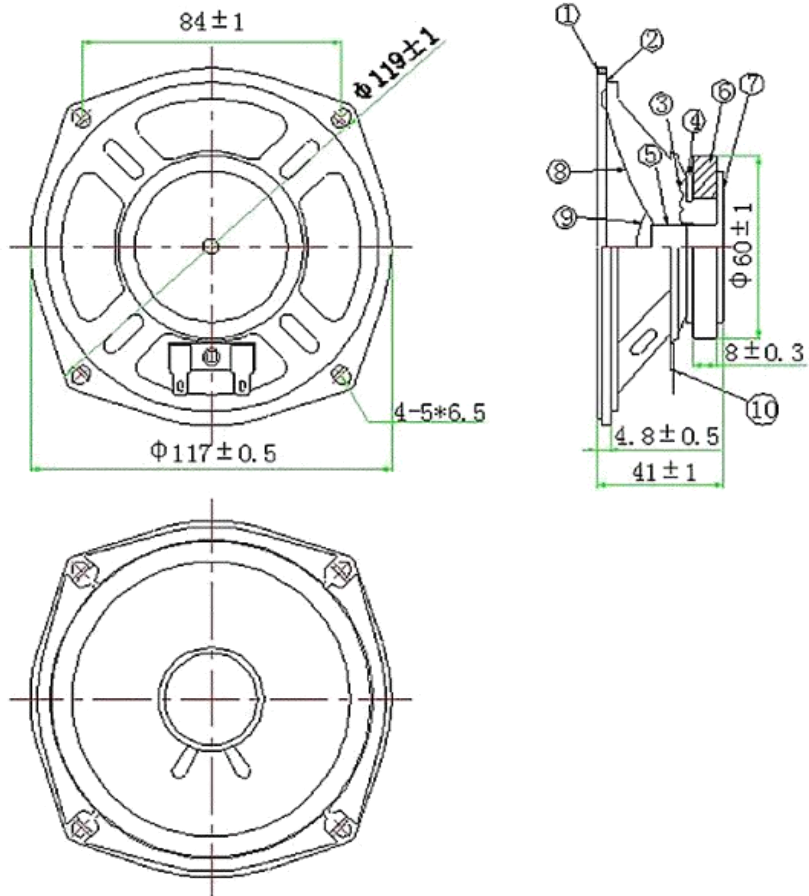


SPECIFICATION		
1	Model No.	YD118-02-4F60P-R
2	Dimension:	120*120*41H mm
3	Cone Material:	Paper
4	Edge:	Foam
5	Nominal Power:	10W
6	Maximum Power:	15W
7	Impedance:	4Ω±15%Ω
8	Voice coil:	Φ14.28 ASV+Cu
9	Fo:	110±20%
10	Response:	Fo~15KHZ 88±3dB(AT 0.1W/0.1M,Average of 0.6,0.8,1.0,1.2 KHZ)
11	S.P.L:	Φ60*32*8mm
12	Magnet Size:	196g±8%
13	Net weight:	

THIS DOCUMENT CONTAINS DATE
 PROPRIETARY TO PROJECTS CHANGZHOU ESUNTECH
 CO LTD. ANY USE OR REPRODUCTION,IN ANY FORM,
 WITHOUT PRIOR WRITTEN PERMISSION OF
 PROJECTS CHANGZHOU ESUNTECH CO LTD
 IS PROHIBITED.
 ©2003,Project Changzhou Esuntech Co Ltd

REVISION HISTORY			
LTR	DESCRIPTION	DATE	APPROVED
-	RELEASED FROM ENGINEERING	9/23/2003	Y M
A			
B			
C			



NOTES:
 1.ALL DIMENSIONS ARE IN MILLIMETERS
 2.SPECIFICATIONS SUBJECT TO CHANGE
 WITHOUT NOTICE

UNLESS OTHERWISE SPECIFIED. DIMENSIONS ARE IN MILLIMETERS TOLERANCES ARE +/-0.5 AND ANGLES ARE +/-3°	SIZE	Designed by	Date	Checked by	Date	Approved by	Date	Drawed date	
									
	A4	Changzhou Esuntech Co.,Ltd http://www.esuntech.com.cn			YD118-02-4F60P-R			Loudspeaker	Edition