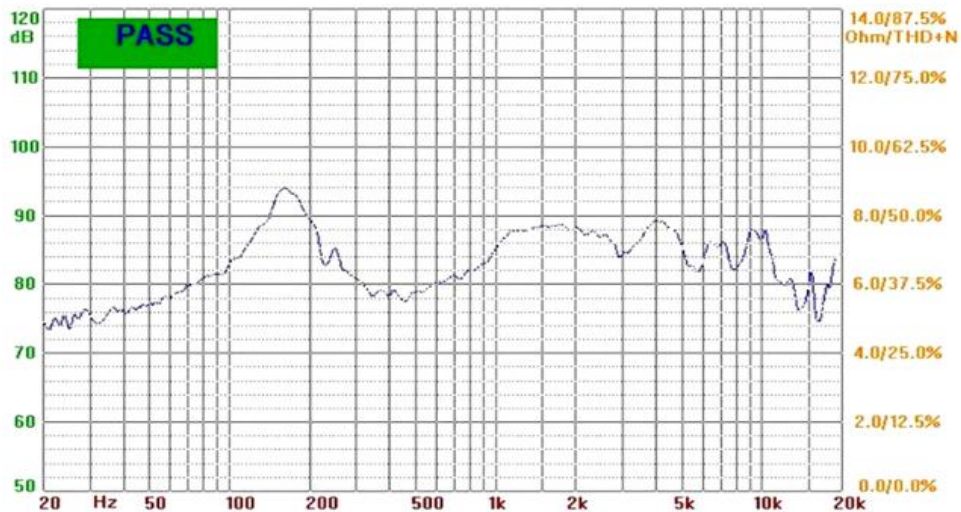
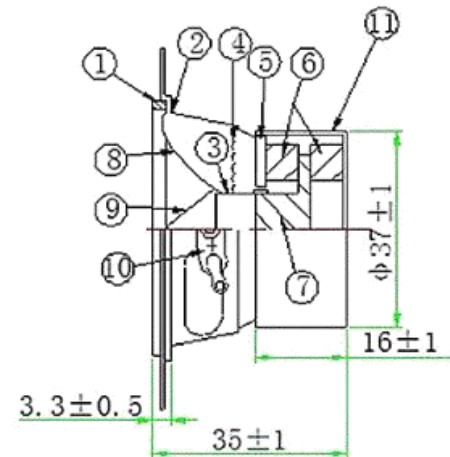
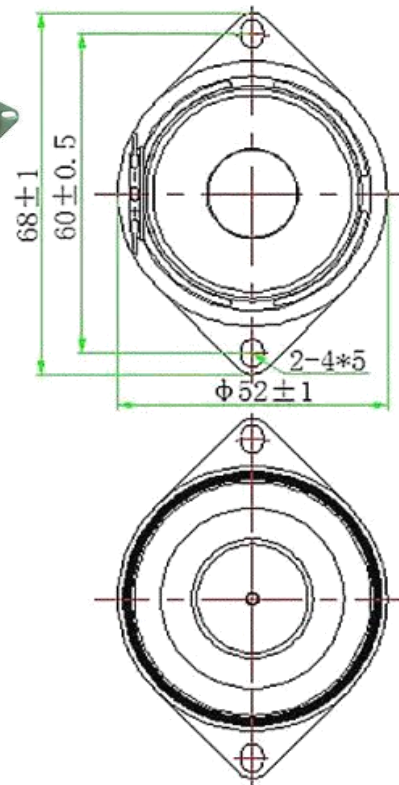


| SPECIFICATION |                |   |
|---------------|----------------|---|
| 1             | Model No.      | YD52-04-4N32P-R                         |
| 2             | Dimension:     | 52*68*35H mm                            |
| 3             | Cone Material: | Paper                                   |
| 4             | Edge:          | Foam                                    |
| 5             | Nominal Power: | 5W                                      |
| 6             | Maximum Power: | 6W                                      |
| 7             | Impedance:     | 4±15%Ω                                  |
| 8             | Voice coil:    | Φ13.28mm KSV+Cu                         |
| 9             | Fo:            | 180±20%Hz                               |
| 10            | Response:      | Fo~20KHZ                                |
| 11            | S.P.L.:        | 84±3dB(at0.1W/0.1m, 0.5, 0.8, 1, 2 KHZ) |
| 12            | Magnet Size:   | Φ32*18*6mm                              |
| 13            | Net weight:    | 80g±8%                                  |

THIS DOCUMENT CONTAINS DATE  
 PROPRIETARY TO PROJECTS CHANGZHOU ESUNTECH  
 CO LTD. ANY USE OR REPRODUCTION,IN ANY FORM,  
 WITHOUT PRIOR WRITTEN PERMISSION OF  
 PROJECTS CHANGZHOU ESUNTECH CO LTD  
 IS PROHIBITED.  
 ©2003,Project Changzhou Esuntech Co Ltd

| REVISION HISTORY |                           |           |          |
|------------------|---------------------------|-----------|----------|
| LTR              | DESCRIPTION               | DATE      | APPROVED |
| -                | RELEASED FROM ENGINEERING | 9/23/2003 | Y M      |
| A                |                           |           |          |
| B                |                           |           |          |
| C                |                           |           |          |



NOTES:  
 1.ALL DIMENSIONS ARE IN MILLIMETERS  
 2.SPECIFICATIONS SUBJECT TO CHANGE  
 WITHOUT NOTICE

|  |                 |   |             |            |       |             |      |             |  |
|--|-----------------|---|-------------|------------|-------|-------------|------|-------------|--|
| UNLESS OTHERWISE SPECIFIED. DIMENSIONS ARE IN MILLIMETERS TOLERANCES ARE +/-0.5 AND ANGLES ARE +/-3° | SIZE            | Designed by   | Date        | Checked by | Date  | Approved by | Date | Drawed date |  |
|  |                 |  |             |            |       |             |      |             |  |
|  | A4              |   |             |            |       |             |      |             |  |
|  | YD45-01-8F32P-R | Changzhou Esuntech Co.,Ltd<br>http://www.esuntech.com.cn                              | Loudspeaker | Edition    | Sheet |             |      |             |  |