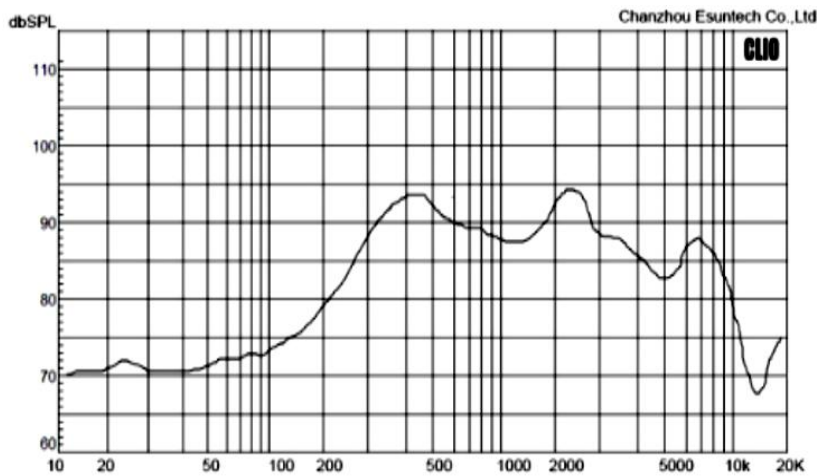
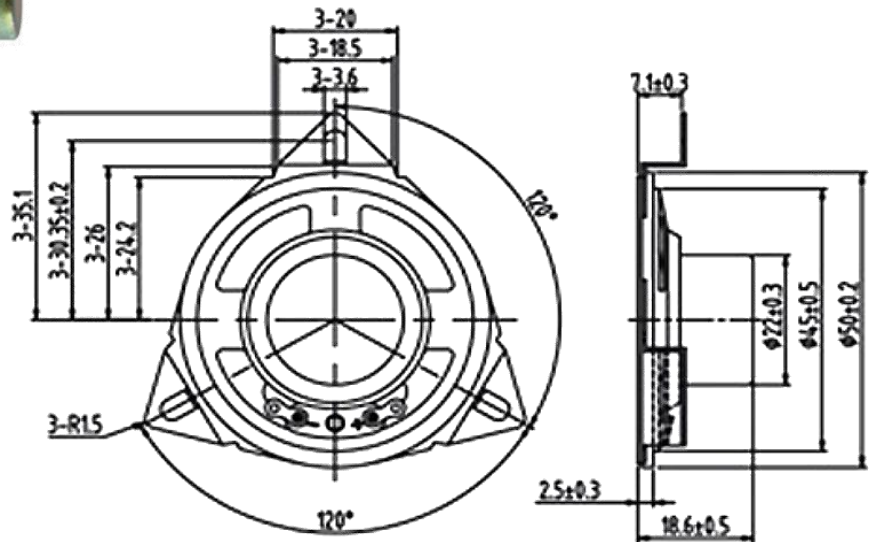


SPECIFICATION		
1	Model No.	YD50-06-8N12.5P
2	Diameter:	Φ50mm
3	Cone Material:	Paper
4	Edge:	Paper
5	Nominal Power:	0.2w
6	Maximum Power:	0.4w
7	Impedance:	8±15%Ω
8	Voice coil:	Φ13.3mm
9	Fo:	450±20%Hz
10	Response:	Fo-4kHz
11	S.P.L:	84±3dB/W/M
12	Magnet Size:	Φ12.5×3(NdFeB)
13	Net weight:	44.5g

THIS DOCUMENT CONTAINS DATE
 PROPRIETARY TO PROJECTS CHANGZHOU ESUNTECH
 CO LTD. ANY USE OR REPRODUCTION, IN ANY FORM,
 WITHOUT PRIOR WRITTEN PERMISSION OF
 PROJECTS CHANGZHOU ESUNTECH CO LTD
 IS PROHIBITED.
 ©2003, Project Changzhou Esuntech Co Ltd

REVISION HISTORY			
LTR	DESCRIPTION	DATE	APPROVED
-	RELEASED FROM ENGINEERING	9/23/2003	Y M
A			
B			
C			



NOTES:
 1. ALL DIMENSIONS ARE IN MILLIMETERS
 2. SPECIFICATIONS SUBJECT TO CHANGE
 WITHOUT NOTICE

UNLESS OTHERWISE SPECIFIED. DIMENSIONS ARE IN MILLIMETERS TOLERANCES ARE +/-0.5 AND ANGLES ARE +/-3°	SIZE	Designed by	Date	Checked by	Date	Approved by	Date	Drawed date
	A4	 Changzhou Esuntech Co.,Ltd http://www.esuntech.com.cn		YD50-06-8N12.5P			Loudspeaker	Edition
YD45-01-8F32P-R								