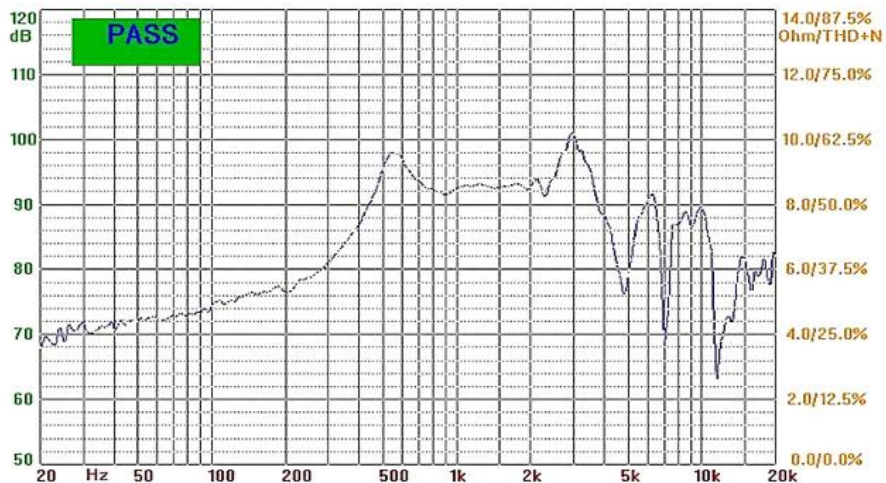
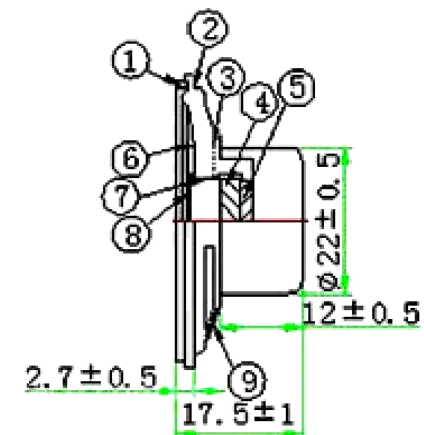
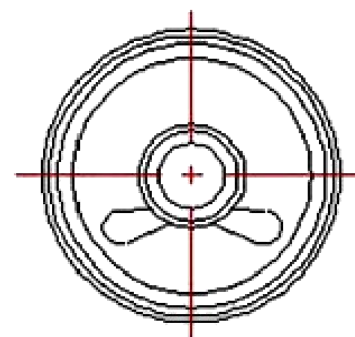
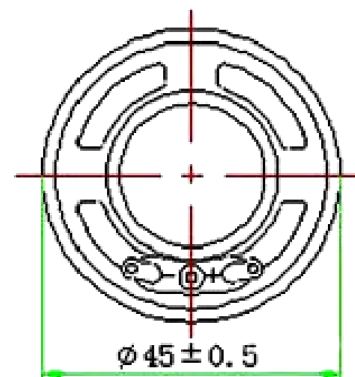



SPECIFICATION		
1	Model No.	YD45-08-16N12.5P-R
2	Dimension:	Φ45*17.5H mm
3	Cone Material:	Paper
4	Edge:	Paper
5	Nominal Power:	0.3W
6	Maximum Power:	0.5W
7	Impedance:	16±15%Ω
8	Voice coil:	Φ16.28mm PL+Cu
9	Fo:	520±20%Hz
10	Response:	Fo~5KHZ
11	S.P.L:	93±3dB(AT 0.1W/0.1M,Average of 0.6,0.8,1.0,1.2 KHz)
12	Magnet Size:	Φ12.5*2.0mm
13	Net weight:	30g±8%

THIS DOCUMENT CONTAINS DATE  
 PROPRIETARY TO PROJECTS CHANGZHOU ESUNTECH  
 CO LTD. ANY USE OR REPRODUCTION,IN ANY FORM,  
 WITHOUT PRIOR WRITTEN PERMISSION OF  
 PROJECTS CHANGZHOU ESUNTECH CO LTD  
 IS PROHIBITED.  
 ©2003,Project Changzhou Esuntech Co Ltd

REVISION HISTORY			
LTR	DESCRIPTION	DATE	APPROVED
-	RELEASED FROM ENGINEERING	9/23/2003	Y M
A			
B			
C			



NOTES:  
 1.ALL DIMENSIONS ARE IN MILLIMETERS  
 2.SPECIFICATIONS SUBJECT TO CHANGE  
 WITHOUT NOTICE

UNLESS OTHERWISE SPECIFIED. DIMENSIONS ARE IN MILLIMETERS TOLERANCES ARE +/-0.5 AND ANGLES ARE +/-3°	SIZE	Designed by	Date	Checked by	Date	Approved by	Date	Drawn date
	A4			YD45-08-16N12.5P-R				
	YD45-01-8F32P-R							