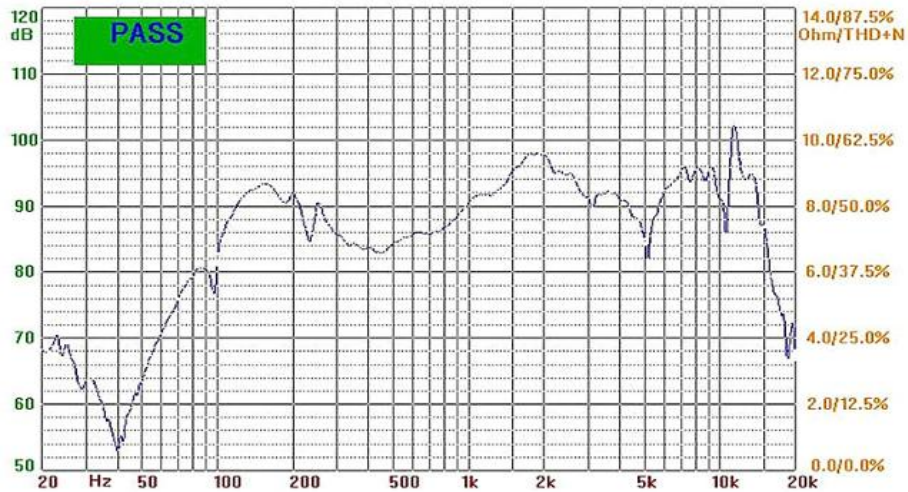
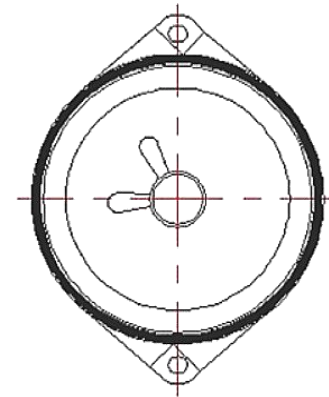
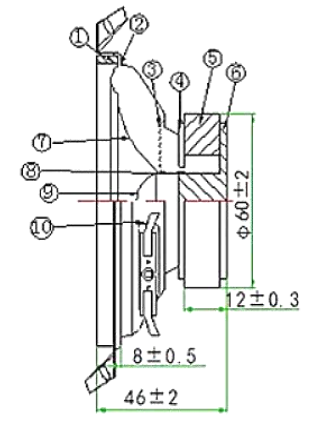
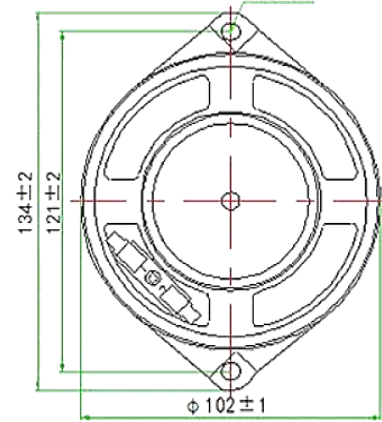



SPECIFICATION		
1	Model No.	YD102-14-4F60P
2	Dimension:	102*134*46H mm
3	Cone Material:	Paper
4	Edge:	Rubber
5	Nominal Power:	25W
6	Maximum Power:	30W
7	Impedance:	4±15%Ω
8	Voice coil:	Φ19.45mm ASV+Cu
9	Fo:	150±20%Hz
10	Response:	Fo~15KHZ
11	S.P.L.:	91±3dB(AT 0.1W/0.1M,AT 0.6,0.8,1.0,1.2 KHz)
12	Magnet Size:	Φ60*32*12mm
13	Net weight:	280g±8%

THIS DOCUMENT CONTAINS DATE
 PROPRIETARY TO PROJECTS CHANGZHOU ESUNTECH
 CO LTD. ANY USE OR REPRODUCTION, IN ANY FORM,
 WITHOUT PRIOR WRITTEN PERMISSION OF
 PROJECTS CHANGZHOU ESUNTECH CO LTD
 IS PROHIBITED.
 ©2003, Project Changzhou Esuntech Co Ltd

REVISION HISTORY			
LTR	DESCRIPTION	DATE	APPROVED
-	RELEASED FROM ENGINEERING	9/23/2003	Y M
A			
B			
C			



NOTES:
 1. ALL DIMENSIONS ARE IN MILLIMETERS
 2. SPECIFICATIONS SUBJECT TO CHANGE
 WITHOUT NOTICE

UNLESS OTHERWISE SPECIFIED. DIMENSIONS ARE IN MILLIMETERS TOLERANCES ARE +/-0.5 AND ANGLES ARE +/-3°	SIZE	Designed by	Date	Checked by	Date	Approved by	Date	Drawed date
	A4			YD102-14-4F60P				
	YD45-01-8F32P-R							