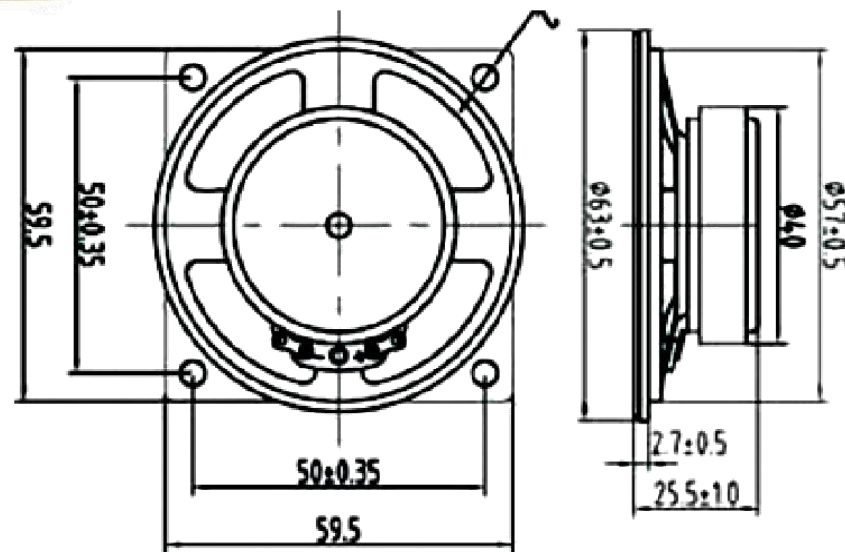
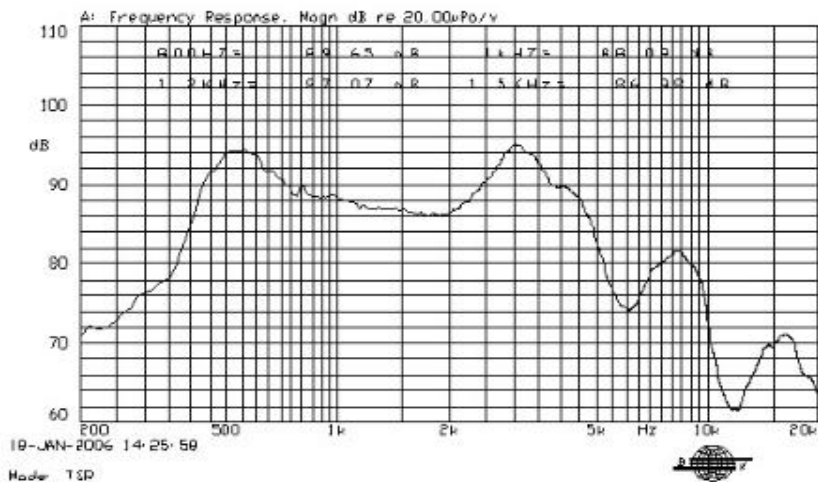


| SPECIFICATION |                |              |
|---------------|----------------|--------------|
| 1             | Model No.      | YD66-5-8F40P |
| 2             | Diameter:      | 66*66mm      |
| 3             | Cone Material: | Paper        |
| 4             | Edge:          | Paper        |
| 5             | Nominal Power: | 0.5w         |
| 6             | Maximum Power: | 1.0w         |
| 7             | Impedance:     | 8±15%Ω       |
| 8             | Voice coil:    | Φ13.3mm      |
| 9             | Fo:            | 400±20%Hz    |
| 10            | Response:      | Fo-10kHz     |
| 11            | S.P.L:         | 87±3dB/W/M   |
| 12            | Magnet Size:   | Φ40x18x8     |
| 13            | Net weight:    | 48g          |


THIS DOCUMENT CONTAINS DATE  
 PROPRIETARY TO PROJECTS CHANGZHOU ESUNTECH  
 CO LTD. ANY USE OR REPRODUCTION, IN ANY FORM,  
 WITHOUT PRIOR WRITTEN PERMISSION OF  
 PROJECTS CHANGZHOU ESUNTECH CO LTD  
 IS PROHIBITED.  
 ©2003, Project Changzhou Esuntech Co Ltd



| REVISION HISTORY |                           |           |          |
|------------------|---------------------------|-----------|----------|
| LTR              | DESCRIPTION               | DATE      | APPROVED |
| -                | RELEASED FROM ENGINEERING | 9/23/2003 | Y M      |
| A                |                           |           |          |
| B                |                           |           |          |
| C                |                           |           |          |



NOTES:  
 1. ALL DIMENSIONS ARE IN MILLIMETERS  
 2. SPECIFICATIONS SUBJECT TO CHANGE  
 WITHOUT NOTICE

|   |             |  |      |            |      |              |       |            |
|---|-------------|--|------|------------|------|--------------|-------|------------|
| UNLESS OTHERWISE SPECIFIED. DIMENSIONS ARE IN MILLIMETERS TOLERANCES ARE +/-0.5 AND ANGLES ARE +/3° | SIZE        | Designed by  | Date | Checked by | Date | Approved by  | Date  | Drawn date |
|   | A4          | <br>Changzhou Esuntech Co.,Ltd<br><a href="http://www.esuntech.com.cn">http://www.esuntech.com.cn</a> |      |            |      | YD66-5-8F40P |       |            |
| YD45-01-8F32P-R   | Loudspeaker |  |      |            |      | Edition      | Sheet |            |