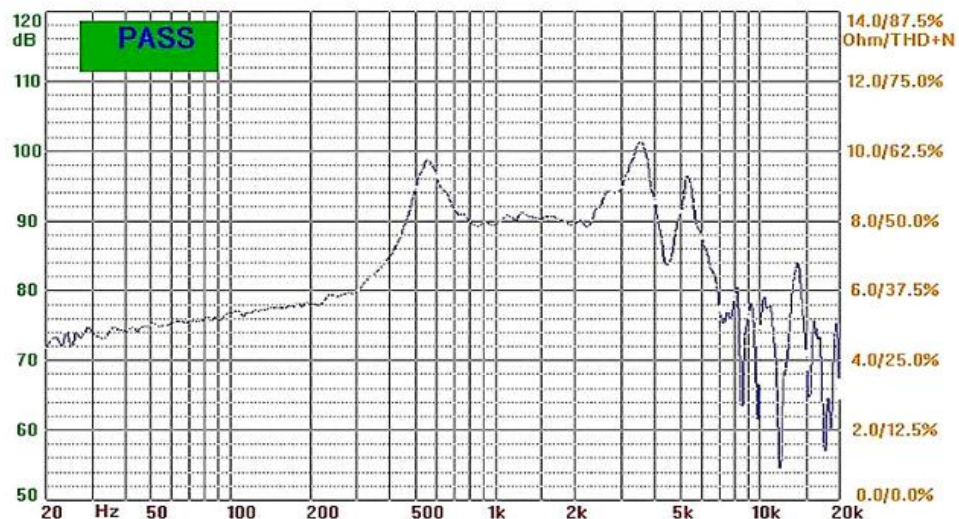
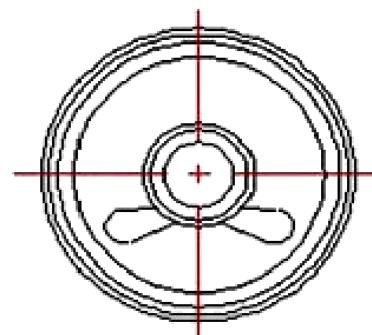
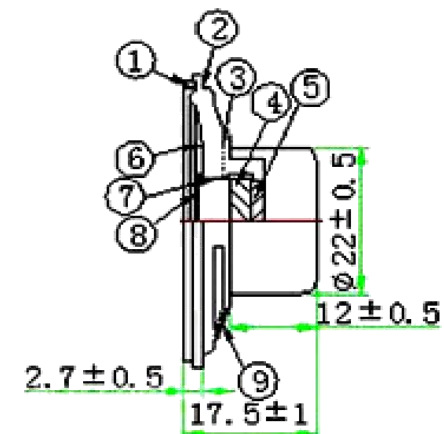
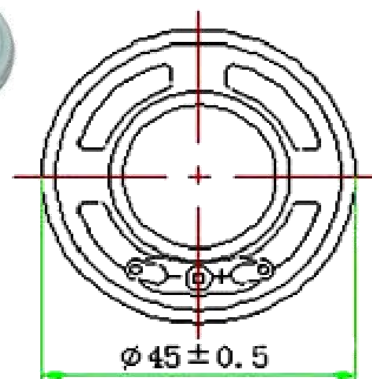



SPECIFICATION		
1	Model No.	YD45-09-8N12.5M-R
2	Dimension:	Φ45*10H mm
3	Cone Material:	PET
4	Edge:	Paper
5	Nominal Power:	0.5W
6	Maximum Power:	1W
7	Impedance:	8Ω±15%Ω
8	Voice coil:	Φ13.28mm PL+Cu
9	Fo:	550±20%
10	Response:	Fo~7KHZ 92±3dB(AT
11	S.P.L.:	0.1W/0.1M,Average of 0.6,0.8,1.0,1.2 KHZ)
12	Magnet Size:	Φ12.5*2mm
13	Net weight:	15g±8%

THIS DOCUMENT CONTAINS DATE
 PROPRIETARY TO PROJECTS CHANGZHOU ESUNTECH
 CO LTD. ANY USE OR REPRODUCTION,IN ANY FORM,
 WITHOUT PRIOR WRITTEN PERMISSION OF
 PROJECTS CHANGZHOU ESUNTECH CO LTD
 IS PROHIBITED.
 ©2003,Project Changzhou Esuntech Co Ltd

REVISION HISTORY			
LTR	DESCRIPTION	DATE	APPROVED
-	RELEASED FROM ENGINEERING	9/23/2003	Y M
A			
B			
C			



NOTES:
 1.ALL DIMENSIONS ARE IN MILLIMETERS
 2.SPECIFICATIONS SUBJECT TO CHANGE
 WITHOUT NOTICE

UNLESS OTHERWISE SPECIFIED. DIMENSIONS ARE IN MILLIMETERS TOLERANCES ARE +/-0.5 AND ANGLES ARE +/-3°	SIZE	Designed by	Date	Checked by	Date	Approved by	Date	Drawn date
	A4	 Changzhou Esuntech Co.,Ltd http://www.esuntech.com.cn		YD45-09-8N12.5M-R			Loudspeaker	Edition
YD45-01-8F32P-R								