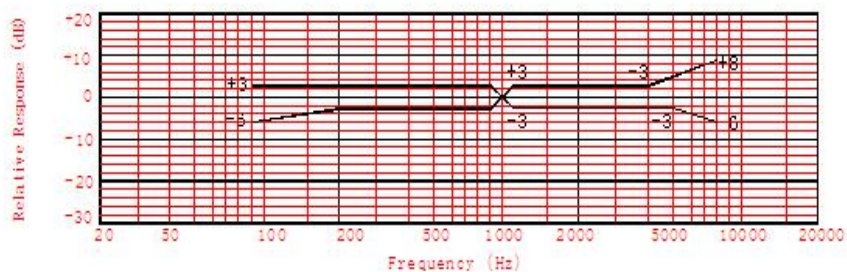


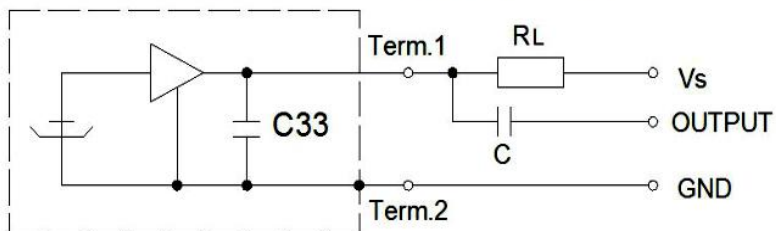
### SPECIFICATION

1	Model No.	EMC4015-1C				
2	ITEM	Symbol	Test Conditions	Min	Standard	Max
3	Sensitivity(dB(0dB=1V/Pa))	S	f=1KHz,S.P.L=1Pa	-45	-42	-39
4	Impedance(K $\Omega$ )	Z	f=1KHz,S.P.L=1Pa			2.2
5	Directivity	Omni-directional				
6	Current Consumption( $\mu$ A)	I				500
7	Operation Voltage Range(V)	VS		1	2	10
8	S/N Ratio(dB)	S/N(A)	f=1KHz, S.P.L=1Pa,A Curve		55	
9	Decreasing Voltage Characteristic(dB)	$\Delta$ S	f=1KHz, S.P.L=1Pa,VS=4.5-3.0V			-3
10	Max.Input Sound Level(dB)	MISPL	f=1KHz,Distortion $\leq$ 3%			110

f=1KHz,S.P.L=1 $\mu$ Bar,VS=4.5-3.0V,Distortion<1%



Vs:Source Voltage 2.0 V Rl:Load Resistance 2.2K $\Omega$

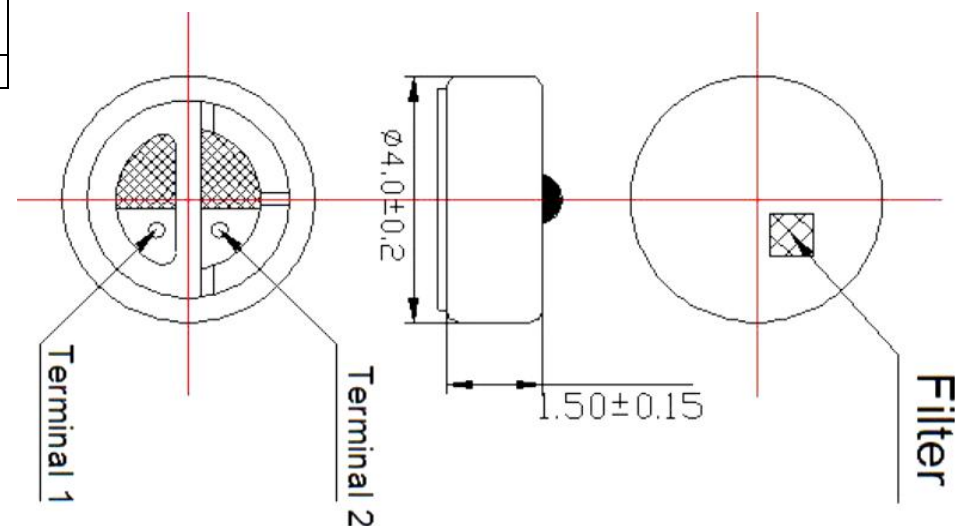


#### NOTES:


- 1.ALL DIMENSIONS ARE IN MILLIMETERS
- 2.SPECIFICATIONS SUBJECT TO CHANGE WITHOUT NOTICE

### REVISION HISTORY

LTR	DESCRIPTION	DATE	APPROVED
-	RELEASED FROM ENGINEERING	9/23/2003	Y M
A			
B			
C			



Filter Unit:mm

UNLESS OTHERWISE SPECIFIED, DIMENSIONS ARE IN MILLIMETERS TOLERANCES ARE +/-0.5 AND ANGLES ARE +/-3°	SIZE	Designed by	Date	Checked by	Date	Approved by	Date	Drawed date
	A4	 http://www.esuntech.com.cn		EMC4015-1C				
	EMC4015-1C			C/MIC	Edition			