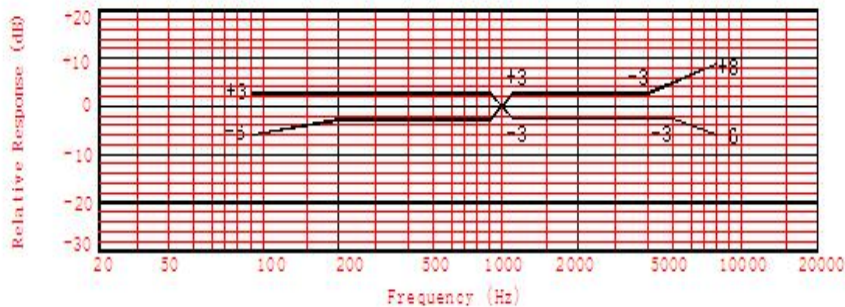
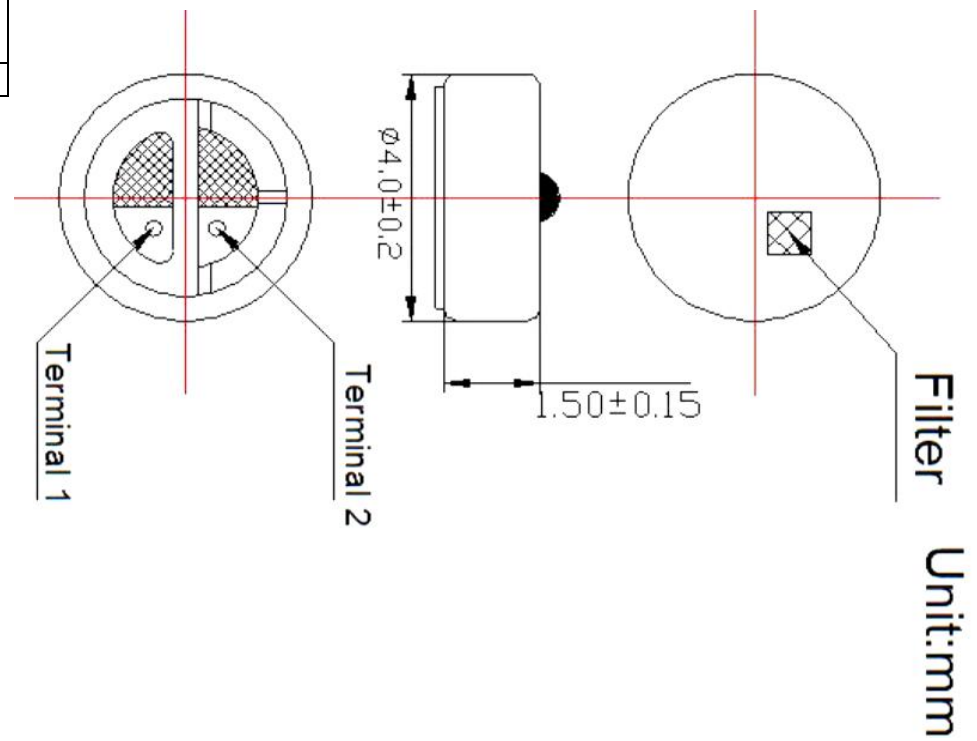


SPECIFICATION						
1	Model No.	EMC4015-SL				
2	ITEM	Symbol	Test Conditions	Min	Standard	Max
3	Sensitivity(dB(0dB=1V/Pa))	S	f=1KHz,S.P.L=1Pa	-45	-42	-39
4	Impedance(KΩ)	Z	f=1KHz,S.P.L=1Pa			2.2
5	Directivity	Omni-directional				
6	Current Consumption(μA)	I				500
7	Operation Voltage Range(V)	VS		1	2	10
8	S/N Ratio(dB)	S/N(A)	1KHz, S.P.L=1Pa,A Curve		55	
9	Decreasing Voltage Characteristic(dB)	ΔS	f=1KHz, S.P.L=1Pa,VS=4.5-3.0V			-3
10	Max.Input Sound Level(dB)	MISPL	f=1KHz,Distortion≤3%			110

f=1KHz,S.P.L=1μBar,VS=4.5-3.0V,Distortion<1%




REVISION HISTORY			
LTR	DESCRIPTION	DATE	APPROVED
-	RELEASED FROM ENGINEERING	9/23/2003	Y M
A			
B			
C			



NOTES:

- 1.ALL DIMENSIONS ARE IN MILLIMETERS
- 2.SPECIFICATIONS SUBJECT TO CHANGE WITHOUT NOTICE

UNLESS OTHERWISE SPECIFIED, DIMENSIONS ARE IN MILLIMETERS TOLERANCES ARE +/-0.5 AND ANGLES ARE +/-3°	SIZE	Designed by	Date	Checked by	Date	Approved by	Date	Drawed date
	A4			EMC4015-SL				
	EMC4015-SL			http://www.esuntech.com.cn	C/MIC	Edition		