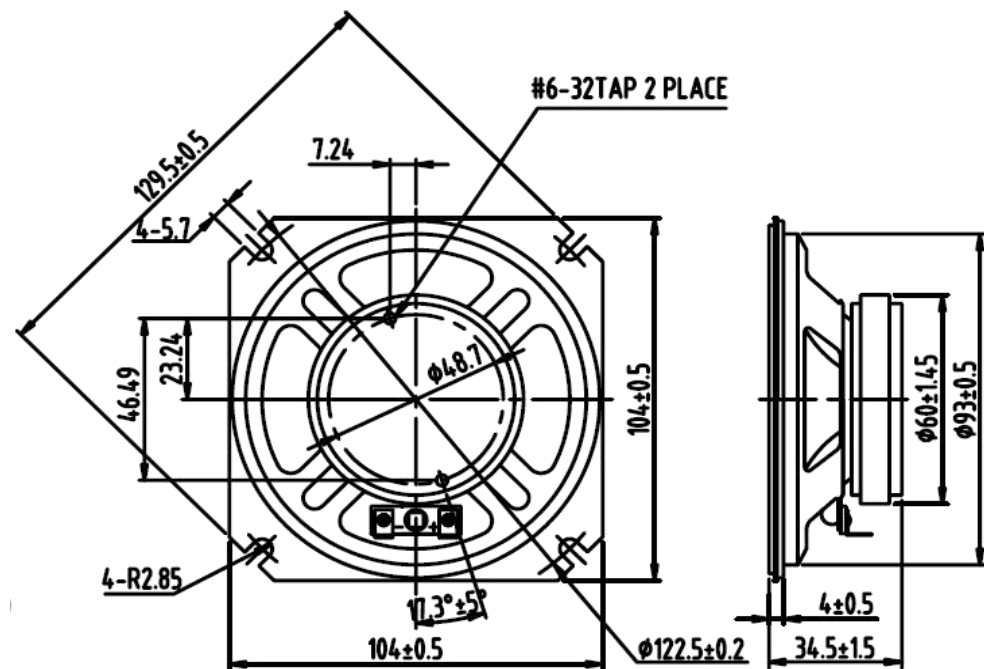
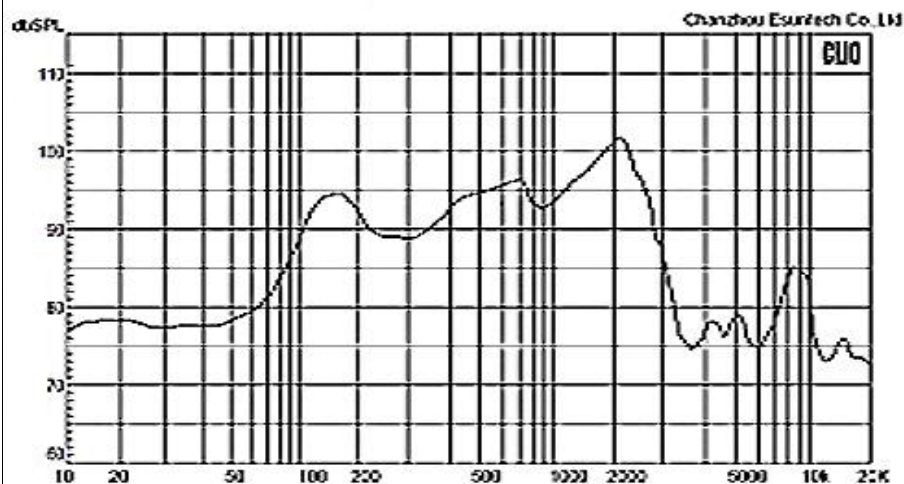
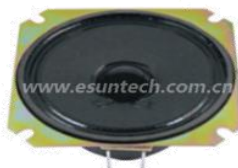



SPECIFICATION		
1	Model No.	YD100-06-8F60P
2	Diameter:	104×104mm
3	Cone Material:	Paper
4	Edge:	Paper
5	Nominal Power:	5w
6	Maximum Power:	8w
7	Impedance:	8±15%Ω
8	Voice coil:	Φ14.4mm
9	Fo:	350±20%Hz
10	Response:	Fo-8kHz
11	S.P.L:	94±3dB/1W/0.5M
12	Magnet Size:	Φ60×32×8(Ferrite)
13	Net weight:	242g

THIS DOCUMENT CONTAINS DATE  
 PROPRIETARY TO PROJECTS CHANGZHOU ESUNTECH  
 CO LTD. ANY USE OR REPRODUCTION, IN ANY FORM,  
 WITHOUT PRIOR WRITTEN PERMISSION OF  
 PROJECTS CHANGZHOU ESUNTECH CO LTD  
 IS PROHIBITED.  
 ©2003, Project Changzhou Esuntech Co Ltd

REVISION HISTORY			
LTR	DESCRIPTION	DATE	APPROVED
-	RELEASED FROM ENGINEERING	9/23/2003	Y M
A			
B			
C			



NOTES:  
 1. ALL DIMENSIONS ARE IN MILLIMETERS  
 2. SPECIFICATIONS SUBJECT TO CHANGE  
 WITHOUT NOTICE

UNLESS OTHERWISE SPECIFIED, DIMENSIONS ARE IN MILLIMETERS TOLERANCES ARE +/-0.5 AND ANGLES ARE +/-3°	SIZE	Designed by	Date	Checked by	Date	Approved by	Date	Drawed date
	A4	 Changzhou Esuntech Co.,Ltd <a href="http://www.esuntech.com.cn">http://www.esuntech.com.cn</a>		YD100-06-8F60P				
	YD45-01-8F32P-R			Loudspeaker	Edition	Sheet		