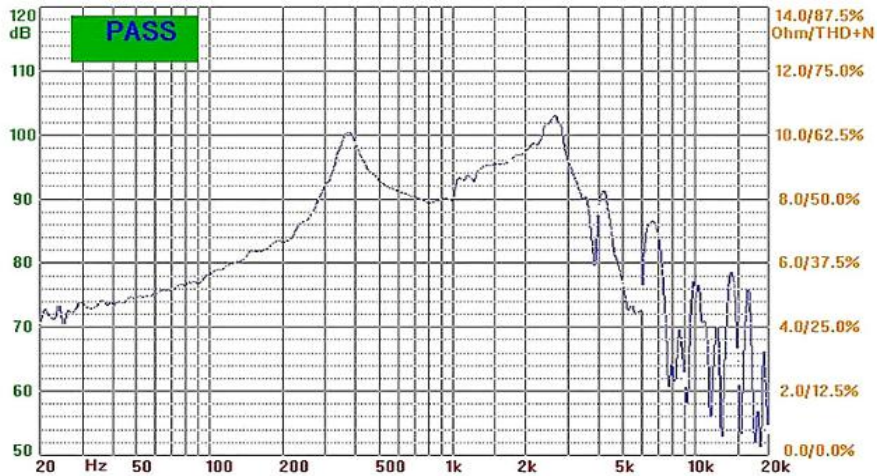
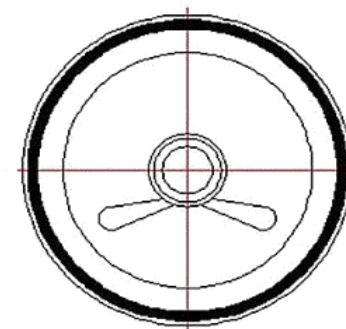
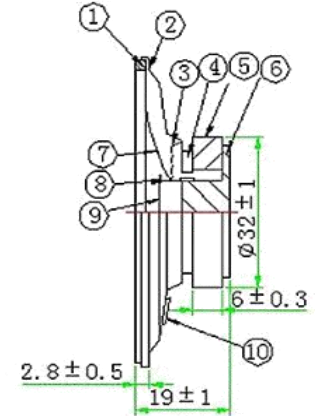
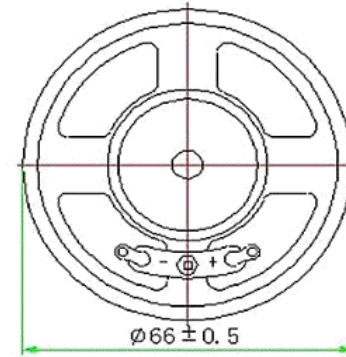


| SPECIFICATION | | |
|---------------|----------------|---|
| 1 | Model No. | YD66-01-8F32P-R |
| 2 | Dimension: | 66*19H mm |
| 3 | Cone Material: | Paper |
| 4 | Edge: | Paper |
| 5 | Nominal Power: | 1W |
| 6 | Maximum Power: | 2W |
| 7 | Impedance: | 8Ω±15%Ω |
| 8 | Voice coil: | Φ13.28mm PL+Cu |
| 9 | Fo: | 400±20% |
| 10 | Response: | Fo400~4KHZ 91±3dB(AT 0.1W/0.1M,Average of 0.6.0.8.1.0.1.2 KHZ) |
| 11 | S.P.L: | |
| 12 | Magnet Size: | Φ32*18*6MM |
| 13 | Net weight: | 50g±8% |

THIS DOCUMENT CONTAINS DATE
 PROPRIETARY TO PROJECTS CHANGZHOU ESUNTECH
 CO LTD. ANY USE OR REPRODUCTION,IN ANY FORM,
 WITHOUT PRIOR WRITTEN PERMISSION OF
 PROJECTS CHANGZHOU ESUNTECH CO LTD
 IS PROHIBITED.
 ©2003,Project Changzhou Esuntech Co Ltd

| REVISION HISTORY | | | |
|------------------|---------------------------|-----------|----------|
| LTR | DESCRIPTION | DATE | APPROVED |
| - | RELEASED FROM ENGINEERING | 9/23/2003 | Y M |
| A | | | |
| B | | | |
| C | | | |



NOTES:
 1.ALL DIMENSIONS ARE IN MILLIMETERS
 2.SPECIFICATIONS SUBJECT TO CHANGE
 WITHOUT NOTICE

| | | | | | | | | |
|--|-----------------|--|------|------------|------|-----------------|---------|-------------|
| UNLESS OTHERWISE SPECIFIED. DIMENSIONS ARE IN MILLIMETERS TOLERANCES ARE +/-0.5 AND ANGLES ARE +/-3° | SIZE | Designed by | Date | Checked by | Date | Approved by | Date | Drawed date |
| | A4 |  Changzhou Esuntech Co.,Ltd http://www.esuntech.com.cn | | | | YD66-01-8F32P-R | | |
| | YD45-01-8F32P-R | | | | | Loudspeaker | Edition | Sheet |