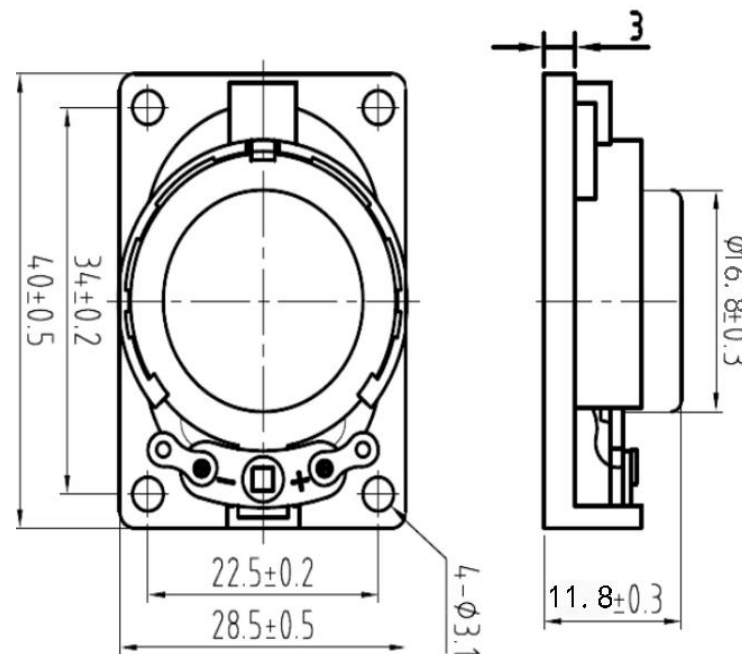


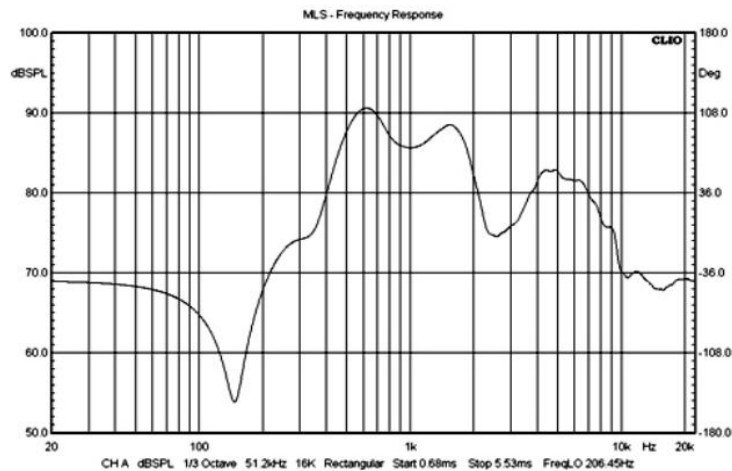
SPECIFICATION		
1	Model No.	ESP4028N-A-8R2W
2	Cone Material:	Paper
3	Edge:	Cloth
4	Nominal Power:	2w
5	Maximum Power:	3w
6	Impedance:	8 ohm±15%Ω
7	Fo:	450hz
8	Response:	Fo-20kHz
9	S.P.L.:	86±3dB/W/M
10	Magnet Size: NdFeB	12.5*1.5
11	Rohs	Yes

THIS DOCUMENT CONTAINS DATE
 PROPRIETARY TO PROJECTS CHANGZHOU ESUNTECH
 CO LTD. ANY USE OR REPRODUCTION,IN ANY FORM,
 WITHOUT PRIOR WRITTEN PERMISSION OF
 PROJECTS CHANGZHOU ESUNTECH CO LTD
 IS PROHIBITED.
 ©2003,Project Changzhou Esuntech Co Ltd


REVISION HISTORY			
LTR	DESCRIPTION	DATE	APPROVED
-	RELEASED FROM ENGINEERING	9/23/2003	Y M
A			
B			
C			



Package 57*42*27cm/1200pcs/17.5kg



NOTES:
 1.ALL DIMENSIONS ARE IN MILLIMETERS
 2.SPECIFICATIONS SUBJECT TO CHANGE
 WITHOUT NOTICE

SIZE	Designed by	Date	Checked by	Date	Approved by	Date	Drawed date
A4	 EST Changzhou Esuntech Co.,Ltd http://www.esuntech.com.cn		ESP4028N-A-8R2W				
			SPEAKER	Edition	Sheet		

<http://www.esuntech.com.cn>

Email:esuntech@esuntech.com.cn

Tel:+86-519-8513 2681

Fax:+86-519-8513 2680