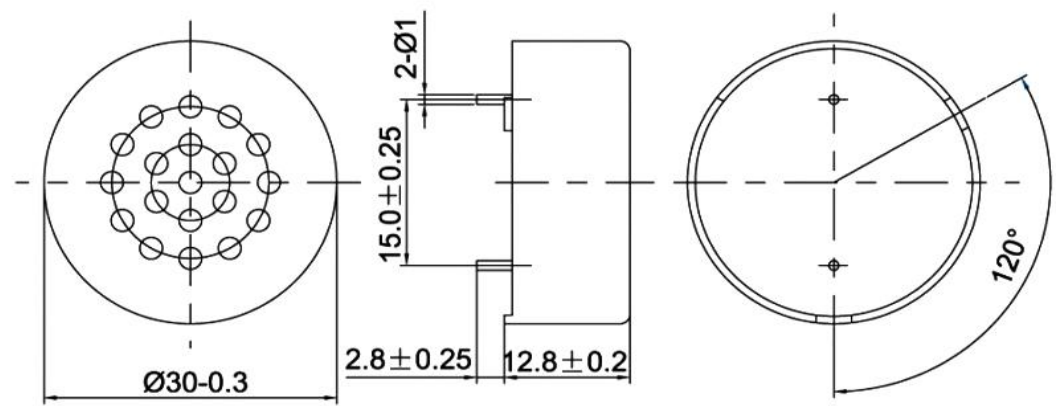
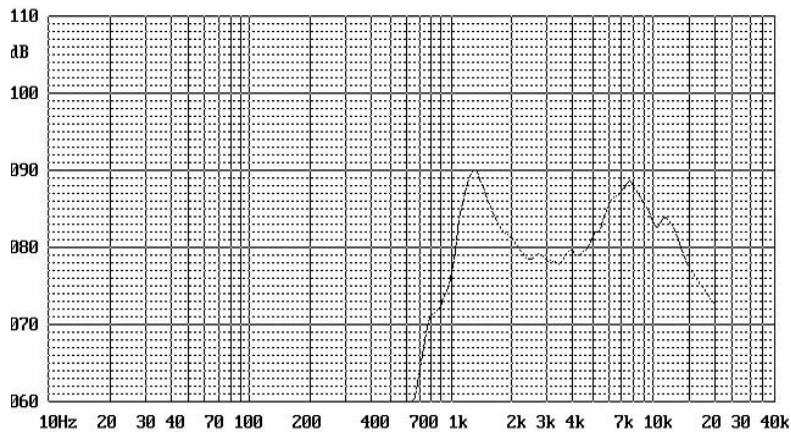


SPECIFICATION		
1	Model No.	EXDC3013-R
2	Rated Impedance (ohm)	OHM±20%
3	Rated (Max.) Power (W)	1.3(1.5)
4	Resonant Frequency (Hz)	1200±20%
5	Frequency Range (Hz)	fo~6000
6	SPL (dB)	105±3 at 1k,1.6k,2k,3.2kHz, 0.1m0.5W
7	Buzzer & Rattles	Must be normal at
8	Frame Material	LCP
9	Operating Temperature (°C)	-20~+60
10	Storage Temperature (°C)	-30~+70
11	Weight (g)	
12	RoHS	Yes


THIS DOCUMENT CONTAINS DATE  
 PROPRIETARY TO PROJECTS CHANGZHOU ESUNTECH  
 CO LTD. ANY USE OR REPRODUCTION, IN ANY FORM,  
 WITHOUT PRIOR WRITTEN PERMISSION OF  
 PROJECTS CHANGZHOU ESUNTECH CO LTD  
 IS PROHIBITED.  
 ©2003, Project Changzhou Esuntech Co Ltd

REVISION HISTORY			
LTR	DESCRIPTION	DATE	APPROVED
-	RELEASED FROM ENGINEERING	9/23/2003	Y M
A			
B			
C			



NOTES:

- 1. ALL DIMENSIONS ARE IN MILLIMETERS
- 2. SPECIFICATIONS SUBJECT TO CHANGE WITHOUT NOTICE

SIZE	Designed by	Date	Checked by	Date	Approved by	Date	Drawed date
A4	 Changzhou Esuntech Co.,Ltd <a href="http://www.esuntech.com.cn">http://www.esuntech.com.cn</a>			EXDC3013-R			
				SPEAKER	Edition	Sheet	