

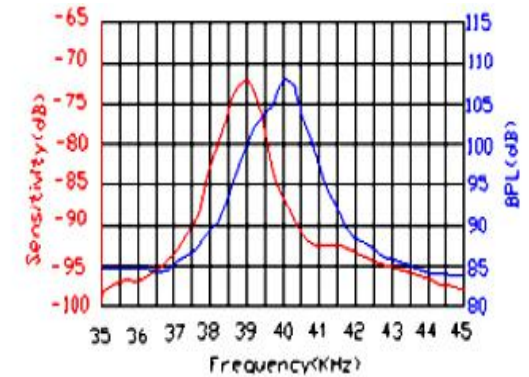
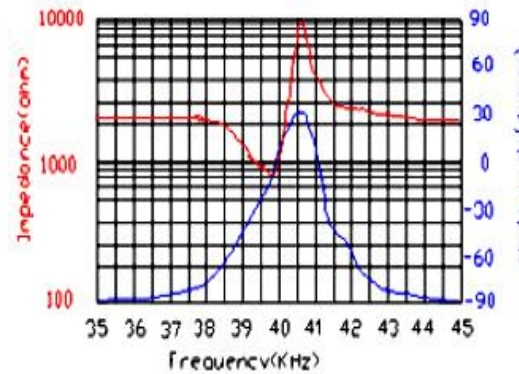
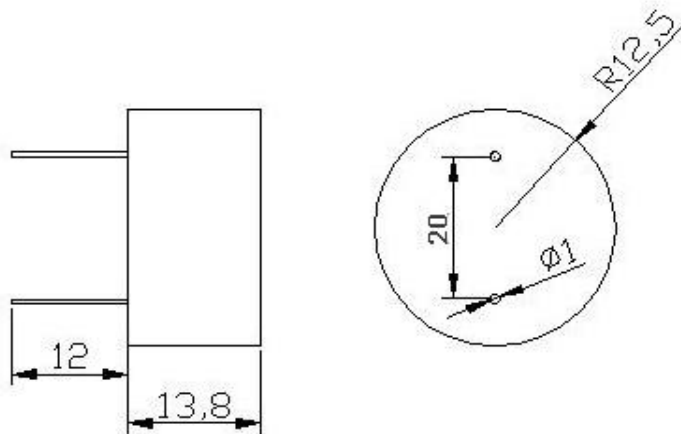
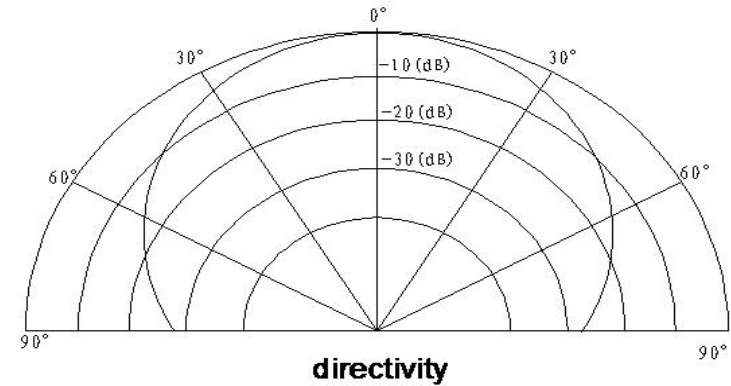
SPECIFICATION		
1	Model No.	EUS25T-40TR-WA
2	Construction	Open
3	Using method	Transmitter or receiver
4	Normal Frequency	40kHz
5	SPL	min.110dB(effective Value 10V/30cm)
6	Sensitivity	min.-70dBV/u bar
7	Directivity	30 degrees
8	Capacitance	2200pF+/-25% at 1kHz
9	Detectable Range	Above 6m
10	Housing material	Aluminum(aluminum color or black)
11	Operating Temp.range	-30~+85 °C
12	Weight(g)	4

THIS DOCUMENT CONTAINS DATE
 PROPRIETARY TO PROJECTS CHANGZHOU ESUNTECH
 CO LTD. ANY USE OR REPRODUCTION, IN ANY FORM,
 WITHOUT PRIOR WRITTEN PERMISSION OF
 PROJECTS CHANGZHOU ESUNTECH CO LTD
 IS PROHIBITED.

©2003, Project Changzhou Esuntech Co Ltd




REVISION HISTORY			
LTR	DESCRIPTION	DATE	APPROVED
-	RELEASED FROM ENGINEERING	9/23/2003	Y M
A			
B			
C			



NOTES:

1. ALL DIMENSIONS ARE IN MILLIMETERS
2. SPECIFICATIONS SUBJECT TO CHANGE WITHOUT NOTICE

SIZE	Designed by	Date	Checked by	Date	Approved by	Date	Drawed date
	A4	 Changzhou Esuntech Co., Ltd http://www.esuntech.com.cn			EUS25T-40TR-WA		
	Ultrasonic Sensor				Edition	1 / 1	