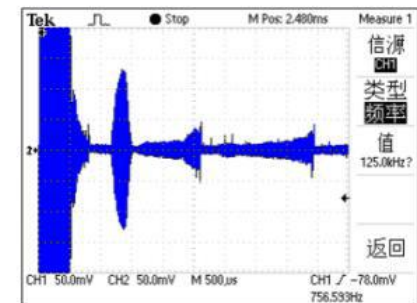
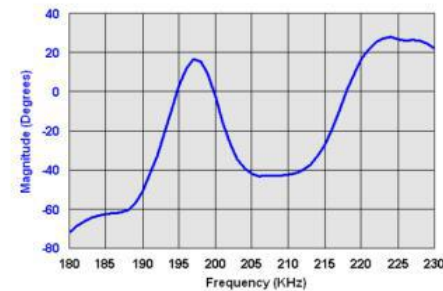
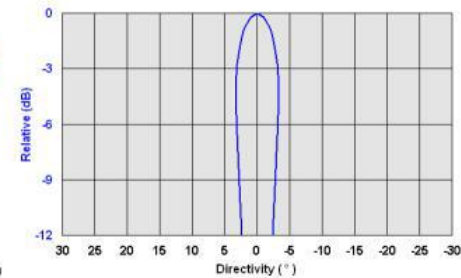
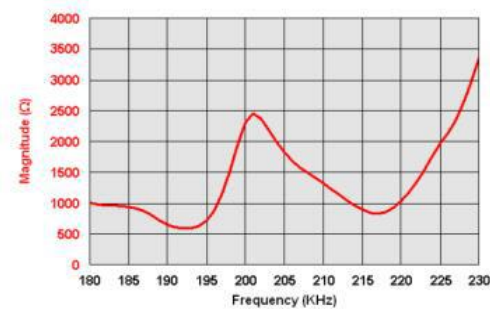
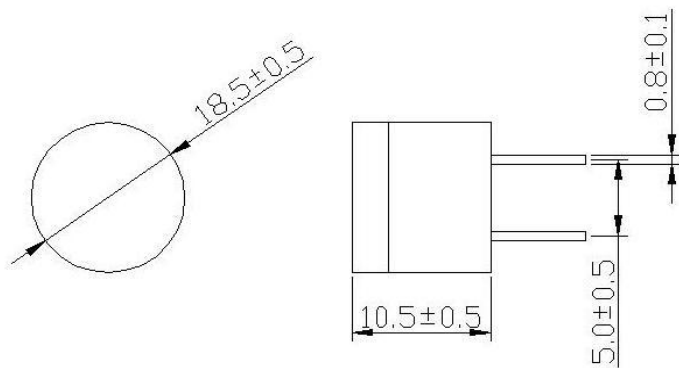


SPECIFICATION		
1	Model No.	EUS18F-200FS-WA-1
2	Using method	Dual(Tx & Rx)
3	Center Frequency	200.0±8.0KHz
4	Bandwidth	16KHZ
5	Min.Parallel Resistance	600Ω±30%
6	Sensitivity	-60dB min
7	Capacitance	400pf±20%
8	Allowable input voltage	500 Vp-p
9	Directivity	7°±2° (-3dB)
10	Detectable range	0.1-2m
11	Material	Aluminum
12	Operating Temperature	-20°C~+80°C
13	Storage Temperature	-35°C~+85°C

THIS DOCUMENT CONTAINS DATE  
 PROPRIETARY TO PROJECTS CHANGZHOU ESUNTECH  
 CO LTD. ANY USE OR REPRODUCTION,IN ANY FORM,  
 WITHOUT PRIOR WRITTEN PERMISSION OF  
 PROJECTS CHANGZHOU ESUNTECH CO LTD  
 IS PROHIBITED.  
 ©2003,Project Changzhou Esuntech Co Ltd




REVISION HISTORY			
LTR	DESCRIPTION	DATE	APPROVED
-	RELEASED FROM ENGINEERING	9/23/2003	Y M
A			
B			
C			



NOTES:

- 1.ALL DIMENSIONS ARE IN MILLIMETERS
- 2.SPECIFICATIONS SUBJECT TO CHANGE WITHOUT NOTICE

SIZE	Designed by	Date	Checked by	Date	Approved by	Date	Drawed date
	A4	 Changzhou Esuntech Co.,Ltd <a href="http://www.esuntech.com.cn">http://www.esuntech.com.cn</a>			EUS18F-200FS-WA-1		
	Ultrasonic Sensor				Edition	Sheet	