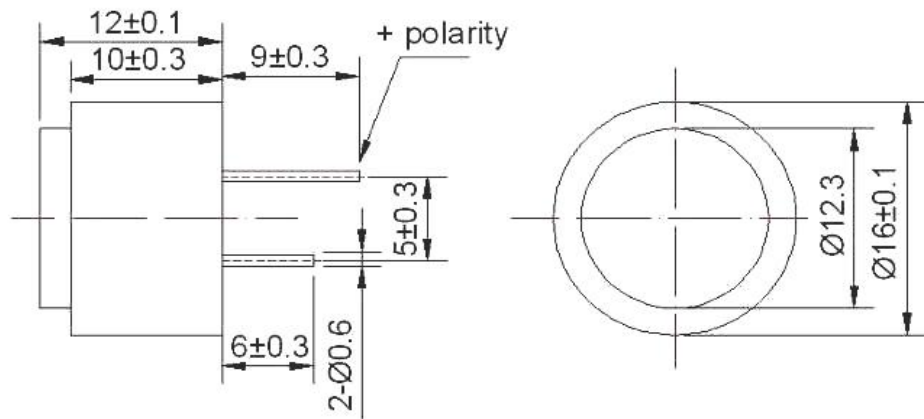


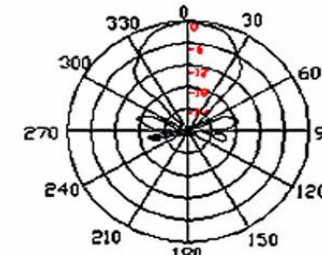
| SPECIFICATION | | |
|---------------|---------------------------|-------------------------|
| 1 | Model No. | EUS16T-40FS-BA(TX/RX) |
| 2 | Construction | Water proof |
| 3 | Using method | Transmitter or receiver |
| 4 | Nominal Frequency(HZ) | 40KHz |
| 5 | Sensitivity (dB) | ≥104dB/30cm/10Vrms |
| 6 | S P L(dB) | ~ / ≥ -75dB/v/μbar |
| 7 | Directivity | 2000pF±25% |
| 8 | Capacitance(pF) | 75deg |
| 9 | Detectable range(M) | 0.2-4m |
| 10 | Operating Temperature(°C) | -30~+85 °C |
| 11 | Housing material | Aluminum/ silver |
| 12 | Weight(g) | 3 |

THIS DOCUMENT CONTAINS DATE
 PROPRIETARY TO PROJECTS CHANGZHOU ESUNTECH
 CO LTD. ANY USE OR REPRODUCTION, IN ANY FORM,
 WITHOUT PRIOR WRITTEN PERMISSION OF
 PROJECTS CHANGZHOU ESUNTECH CO LTD
 IS PROHIBITED.
 ©2003, Project Changzhou Esuntech Co Ltd

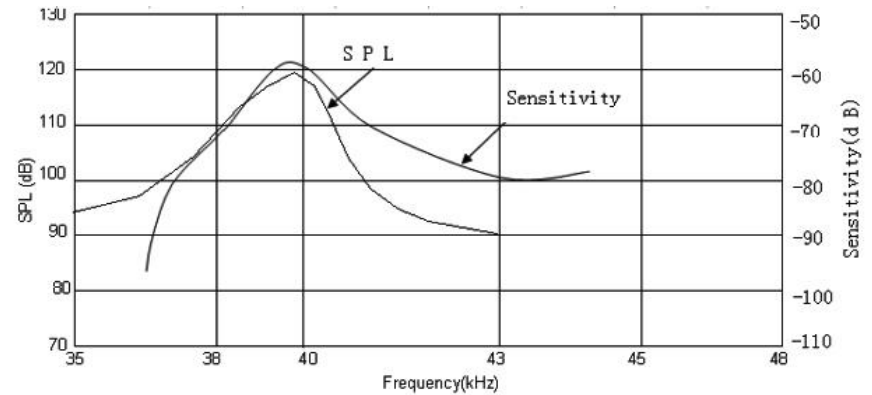


| REVISION HISTORY | | | |
|------------------|---------------------------|-----------|----------|
| LTR | DESCRIPTION | DATE | APPROVED |
| - | RELEASED FROM ENGINEERING | 9/23/2003 | Y M |
| A | | | |
| B | | | |
| C | | | |

Beam Angle Tested at 40.0KHz
 frequency




Sensitivity/Sound Pressure Level
 Tested under 10Vrms@30cm



Frequency Characteristics

- NOTES:
 1. ALL DIMENSIONS ARE IN MILLIMETERS
 2. SPECIFICATIONS SUBJECT TO CHANGE
 WITHOUT NOTICE

| SIZE | Designed by | Date | Checked by | Date | Approved by | Date | Drawed date |
|------|--|------|-----------------------|------|-------------------|---------|-------------|
| A4 |  Changzhou Esuntech Co.,Ltd http://www.esuntech.com.cn | | EUS16T-40FS-BA(TX/RX) | | Ultrasonic Sensor | Edition | Sheet |
| | | | | | | | |