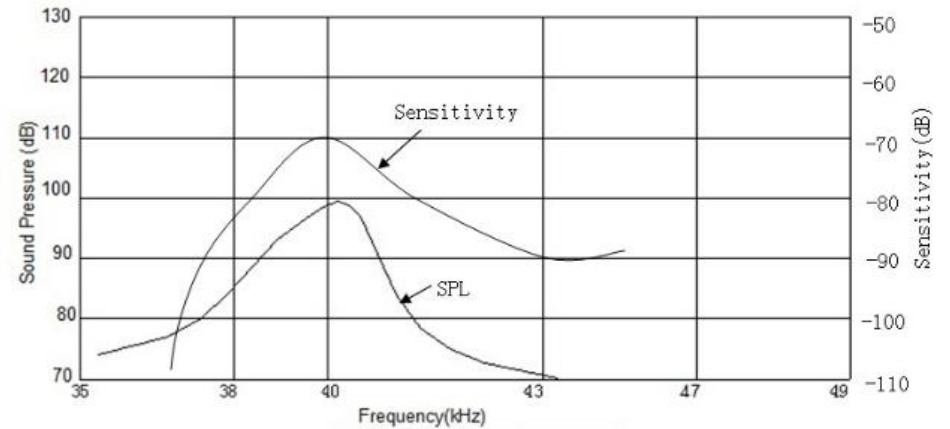
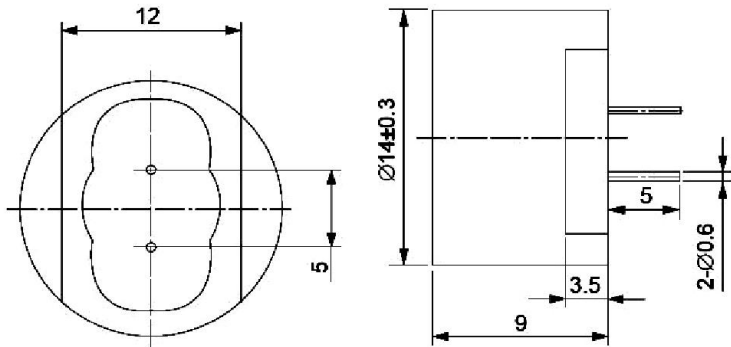
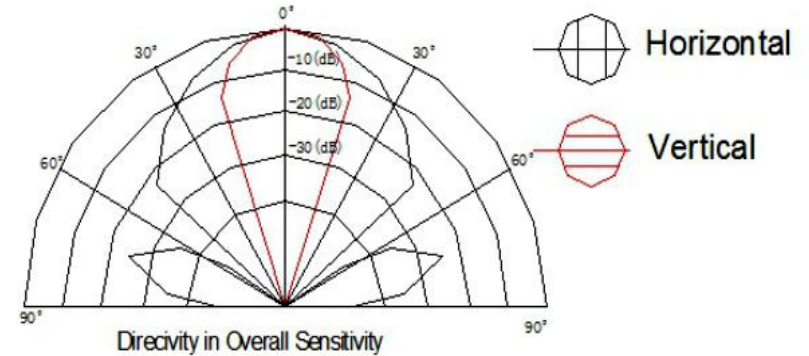


SPECIFICATION		
1	Model No.	EUS14T-40FS-BA-1
2	Construction	Water proof
3	Using method	dual
4	Nominal Frequency(HZ)	40K
5	Sensitivity (dB)	min.-75dBV/u bar
6	S P L(dB)	min.97dB(effective Value 10V/30cm)
7	Directivity	110x45 degrees
8	Capacitance(pF)	2000pF+/-25% at 1kHz
9	Detectable range(M)	0.3~1.5m
10	Operating Temperature(°C)	-30~+85
11	Housing material	Aluminum(aluminum color or black)
12	Weight(g)	1.5


THIS DOCUMENT CONTAINS DATE
 PROPRIETARY TO PROJECTS CHANGZHOU ESUNTECH CO LTD. ANY USE OR REPRODUCTION, IN ANY FORM, WITHOUT PRIOR WRITTEN PERMISSION OF PROJECTS CHANGZHOU ESUNTECH CO LTD IS PROHIBITED.
 ©2003, Project Changzhou Esuntech Co Ltd



REVISION HISTORY			
LTR	DESCRIPTION	DATE	APPROVED
-	RELEASED FROM ENGINEERING	9/23/2003	Y M
A			
B			
C			



NOTES:
 1. ALL DIMENSIONS ARE IN MILLIMETERS
 2. SPECIFICATIONS SUBJECT TO CHANGE WITHOUT NOTICE

SIZE	Designed by	Date	Checked by	Date	Approved by	Date	Drawed date
A4	 EST Changzhou Esuntech Co.,Ltd http://www.esuntech.com.cn			EUS14T-40FS-BA-1			
				Ultrasonic Sensor	Edition	Sheet	