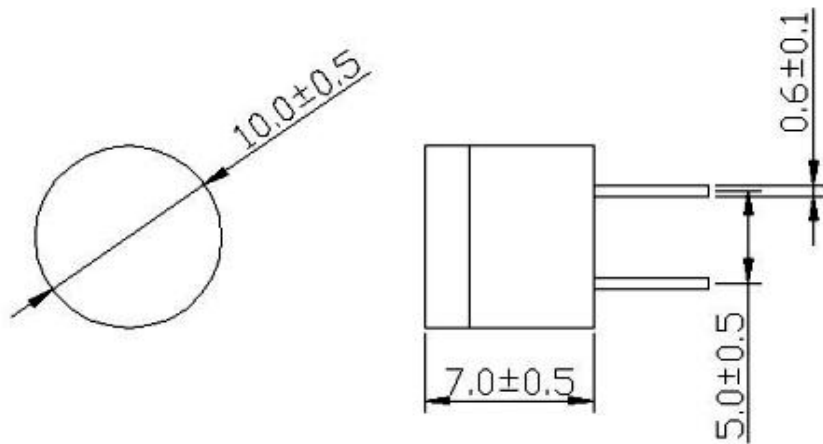


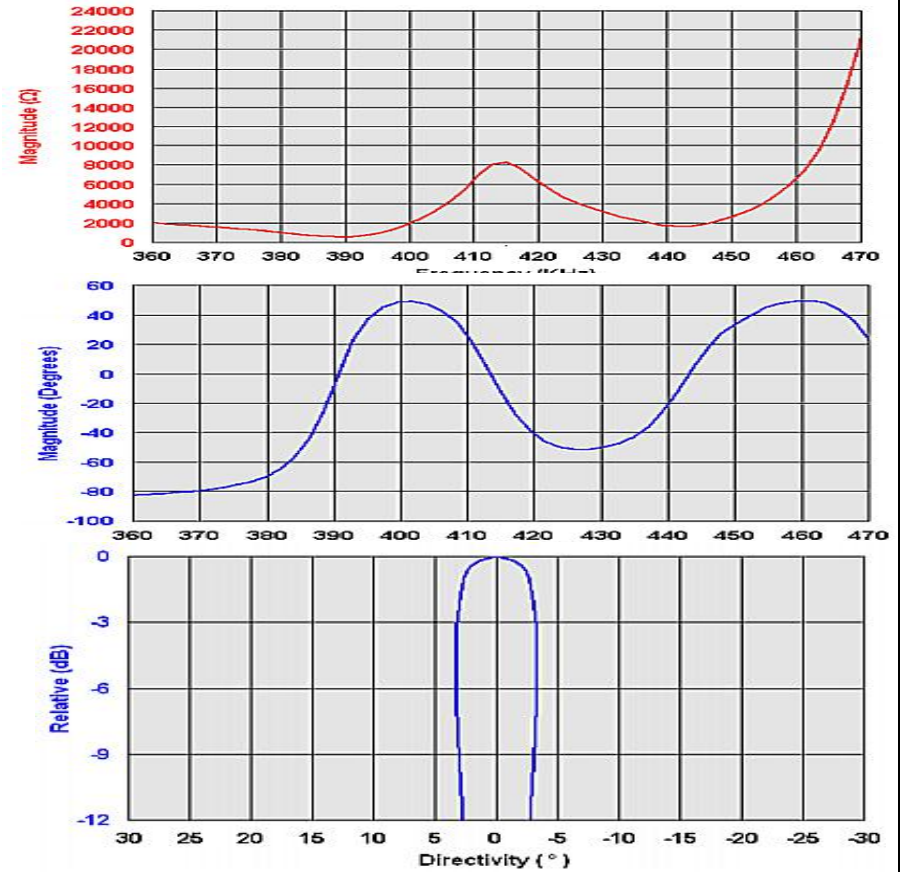
SPECIFICATION		
1	Model No.	EUS10F-400FS-WA-1
2	Using method	Dual(Tx & Rx)
3	Center Frequency	400.0±8.0KHz
4	Bandwidth	30KHZ
5	Min.Parallel Resistance	600Ω±30%
6	Sensitivity	-75dB min
7	Capacitance	180pf±20%
8	Allowable input voltage	300 Vp-p
9	Directivity	7°±2° (-3dB)
10	Detectable range	0.05-2(m)
11	Material	Aluminum
12	Operating Temperature	-20°C~+80°C
13	Storage Temperature	-35°C~+85°C


THIS DOCUMENT CONTAINS DATE
 PROPRIETARY TO PROJECTS CHANGZHOU ESUNTECH
 CO LTD. ANY USE OR REPRODUCTION,IN ANY FORM,
 WITHOUT PRIOR WRITTEN PERMISSION OF
 PROJECTS CHANGZHOU ESUNTECH CO LTD
 IS PROHIBITED.
 ©2003,Project Changzhou Esuntech Co Ltd



NOTES:
 1.ALL DIMENSIONS ARE IN MILLIMETERS
 2.SPECIFICATIONS SUBJECT TO CHANGE
 WITHOUT NOTICE

REVISION HISTORY			
LTR	DESCRIPTION	DATE	APPROVED
-	RELEASED FROM ENGINEERING	9/23/2003	Y M
A			
B			
C			



SIZE	Designed by	Date	Checked by	Date	Approved by	Date	Drawed date
	A4	 EST Changzhou Esuntech Co.,Ltd http://www.esuntech.com.cn			EUS10F-400FS-WA-1		
	Ultrasonic Sensor				Edition	Sheet	