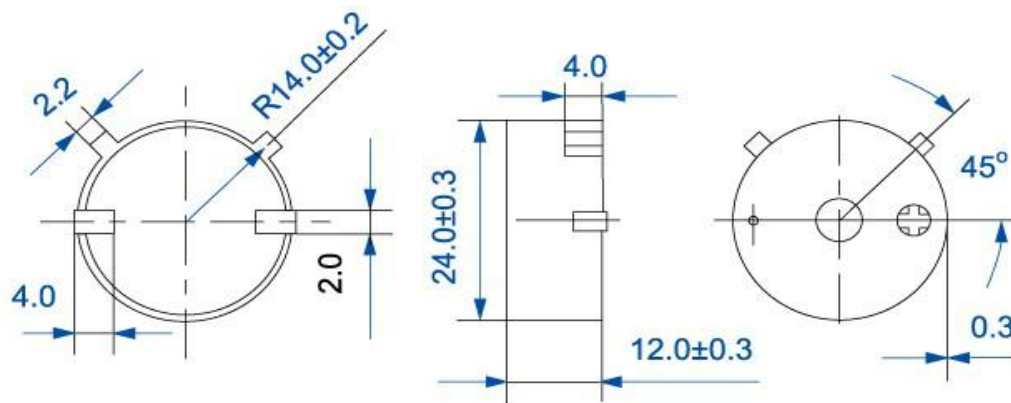
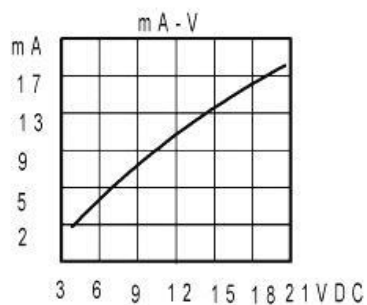
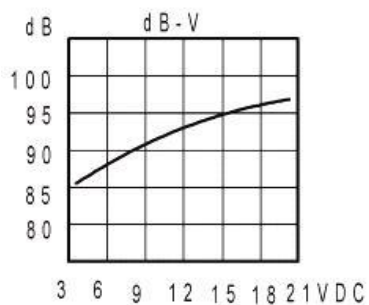
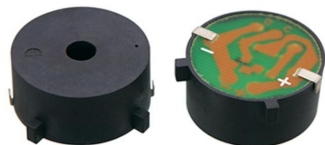


SPECIFICATION		
1	Model No.	EPB2412S-HS-12-3.4-R
2	Rated Voltage (VDC)	12
3	Max Input Voltage (VDC)	3~16
4	Rated Current (mA)	≤12
5	Resonance Frequency (KHz)	3.4±0.5
6	Capacitance at 120Hz (pF)	12000±30%
7	Sound Output at 10cm (dB)	≥90
8	Operating Temperature (°C)	-20~+75
9	Storage Temperature (°C)	-30~+85
10	Weight (g)	2
11	Housing Material	LCP
12	RoHS	Yes


THIS DOCUMENT CONTAINS DATE
 PROPRIETARY TO PROJECTS CHANGZHOU ESUNTECH
 CO LTD. ANY USE OR REPRODUCTION, IN ANY FORM,
 WITHOUT PRIOR WRITTEN PERMISSION OF
 PROJECTS CHANGZHOU ESUNTECH CO LTD
 IS PROHIBITED.
 ©2003, Project Changzhou Esuntech Co Ltd

REVISION HISTORY			
LTR	DESCRIPTION	DATE	APPROVED
-	RELEASED FROM ENGINEERING	9/23/2003	Y M
A			
B			
C			



NOTES:

1. ALL DIMENSIONS ARE IN MILLIMETERS
2. SPECIFICATIONS SUBJECT TO CHANGE WITHOUT NOTICE

SIZE	Designed by	Date	Checked by	Date	Approved by	Date	Drawed date
A4	 EST Changzhou Esuntech Co.,Ltd http://www.esuntech.com.cn		EPB2412S-HS-12-3.4-R				
			BUZZER	Edition	Sheet		